



BF400 LED Microbar

Amber Solid-state LED Microbar with 360° High Intensity Output



BF400 Series LED Microbars provide a compact yet powerful warning solution that offers the flexibility of either permanent or magnetic mounting. The BF400 Series is low profile, uses low maintenance LED technology to maximize light output, and offers multiple user selectable flash patterns.

Design Features

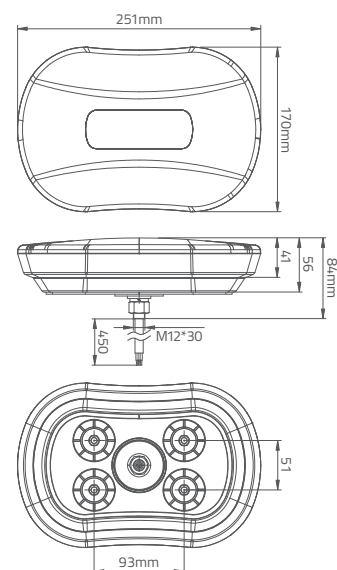
- 20 built-in selectable flash patterns
- 40 high intensity, solid-state LEDs
- Polycarbonate lens and body
- Dust, water and vibration resistant
- Reverse polarity protected
- Available in single bolt permanent mount
- Available in magnetic mount base
- Magnetic base versions come with lighter plug that includes on/off switch and flash pattern selector
- Approvals: SAE J845 Class I, Reg 65, R10, IP67

Specifications

- Multivoltage: 12–24VDC
- Maximum current draw: 3.3A @ 12VDC, 1.8A @ 24VDC
- Average current draw: 3A @ 12VDC, 1.65A @ 24VDC
- Dimensions: height 56mm (bolt), 49mm (mag) x depth 170mm x width 251mm

Part Numbers

- BF400-04** Amber LEDs, clear lens, amber top, single bolt mount
- BF404-04** Amber LEDs, clear lens, amber top, magnetic mount



Britax Automotive Equipment
4 Garret Street Brendale Queensland 4500 Australia
Freecall 1800 025 921 | www.britaxae.com.au